

OUTLINE

The Rx5RW Series are CMOS-based voltage regulator ICs with high accuracy output voltage and ultra-low supply current developed. Each of these ICs consists of a driver transistor, a voltage reference unit, an error amplifier, resistors for setting output voltage and a current limit circuit.

The output voltage of these ICs is fixed with high accuracy.

Even if V_{OUT} is shorted to GND, the included current limit circuit protects the ICs from the destruction. Furthermore, Rx5RWxxA/B have a chip enable function, so that the supply current on standby can be minimized.

Since the packages for these ICs are SC-82AB (Super Mini-mold) package and SON1612-6, high density mounting of the ICs on boards is possible.

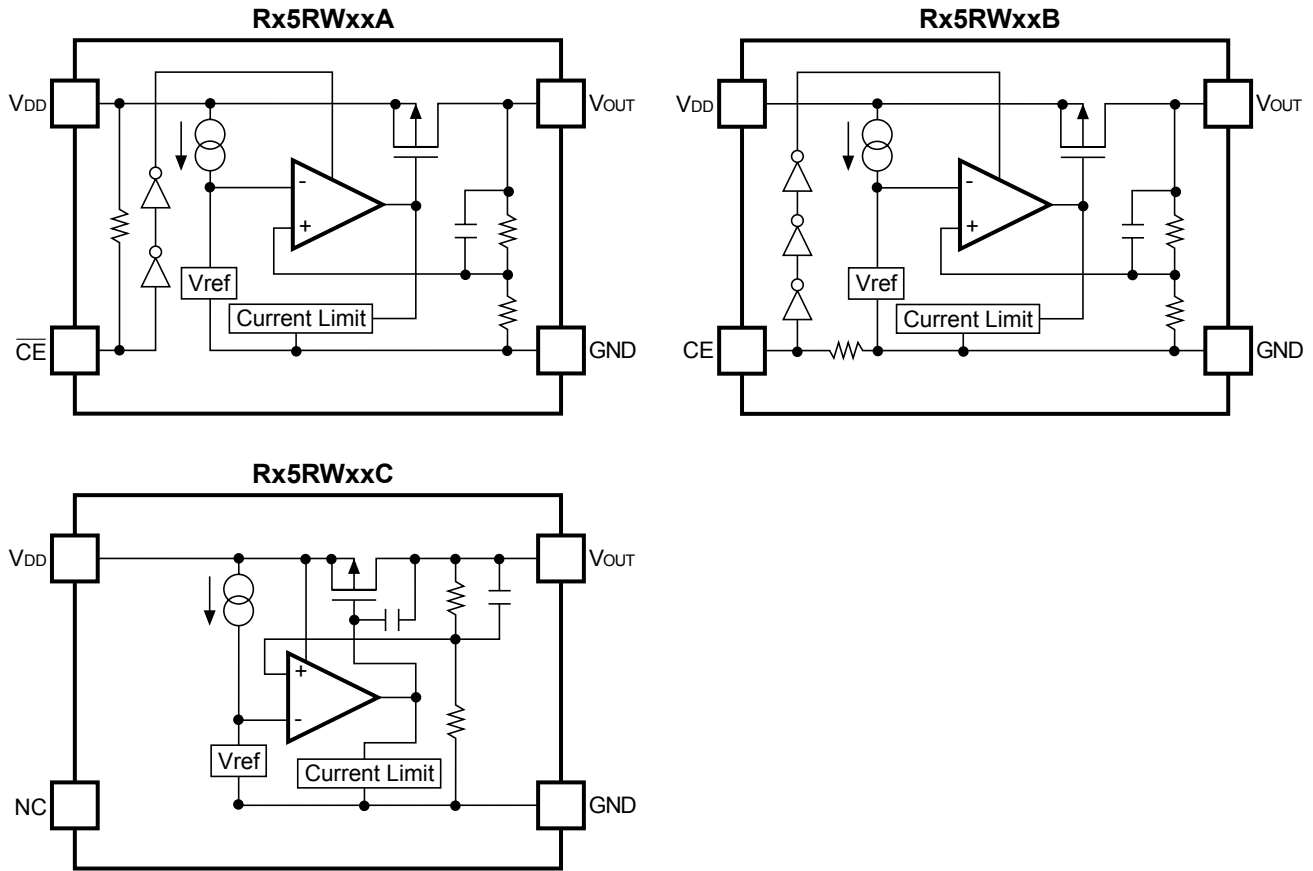
FEATURES

- Ultra-Low Supply Current..... Typ. 1.5 μ A
(except pull-up/pull-down current for \overline{CE} /CE pin)
- Standby Current Typ. 0.1 μ A
- Dropout Voltage Typ. 40mV ($I_{OUT}=1$ mA, Rx5RW30A/B)
- Low Temperature-Drift Coefficient of Output Voltage... Typ. ± 100 ppm/ $^{\circ}$ C
- Excellent Line Regulation Typ. 0.05%/V
- High Accuracy Output Voltage $\pm 2.0\%$
- Ultra-Small Packages SC-82AB (Super Mini-mold), SON1612-6
- Built-in Current Limit Circuits

APPLICATIONS

- Power source for battery-powered equipment.
- Power source for cameras, VCRs, camcorders, hand-held audio instruments and hand-held communication equipment.
- Precision voltage references.

BLOCK DIAGRAMS



SELECTION GUIDE

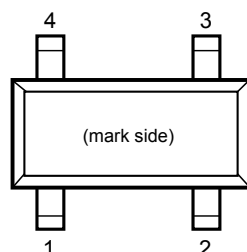
The output voltage, the active type, and the packing type for the ICs can be selected at the user's request. The selection can be made with designating the part number as shown below:

Rx5RWxxxx-xx ←Part Number
 ↑ ↑ ↑ ↑ ↑
 a b c d e

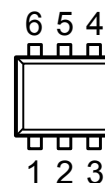
Code	Contents
a	Designation of Package Type Q: SC-82AB D:SON1612-6
b	Setting Output Voltage (V _{OUT}): Stepwise setting with a step of 0.1V in the range of 1.5V to 6.0V is possible.
c	Designation of Chip enable Active Type: A: "L" active type B: "H" active type C: no chip enable type
d	Designation of Packing Type: A: Taping B: Antistatic bag (for Sample only)
e	Designation of Taping Type: TR (refer to Taping Specifications)

PIN CONFIGURATION

● SC-82AB



● SON1612-6



PIN DESCRIPTION

● SC-82AB

Pin No	Symbol	Pin Description
1	GND	Ground Pin
2	V _{DD}	Input Pin
3	V _{OUT}	Output Pin
4	$\overline{\text{CE}}$ or CE or NC	Chip Enable Pin or No Connection

SON1612-6

Pin No	Symbol	Pin Description
1	$\overline{\text{CE}}$ or CE or NC	Chip Enable Pin or No Connection
2	V _{DD}	Input Pin
3	V _{OUT}	Output Pin
4	NC	No Connection
5	V _{DD}	Input Pin
6	GND	Ground Pin

ABSOLUTE MAXIMUM RATINGS

Symbol	Item	Rating	Unit
V _{IN}	Input Voltage	9.0	V
V _{CE}	Input Voltage for $\overline{\text{CE}}$ /CE Pin	-0.3 to V _{IN} +0.3	V
V _{OUT}	Output Voltage	-0.3 to V _{IN} +0.3	V
I _{OUT}	Output Current	150	mA
P _D	Power Dissipation (SC-82AB) *1	380	mW
	Power Dissipation (SON1612-6) *1	500	
T _{opt}	Operating Temperature	-40 to +85	°C
T _{stg}	Storage Temperature	-55 to +125	°C

*1) For Power Dissipation, please refer to PACKAGE INFORMATION to be described.

ABSOLUTE MAXIMUM RATINGS

Absolute Maximum ratings are threshold limit values that must not be exceeded even for an instant under any conditions. Moreover, such values for any two items must not be reached simultaneously. Operation above these absolute maximum ratings may cause degradation or permanent damage to the device. These are stress ratings only and do not necessarily imply functional operation below these limits.

ELECTRICAL CHARACTERISTICS

• Rx5RW30A

T_{opt}=25°C

Symbol	Item	Conditions	Min.	Typ.	Max.	Unit
V _{OUT}	Output Voltage	V _{IN} =5.0V 10μA ≤ I _{OUT} ≤ 10mA	2.940	3.000	3.060	V
I _{OUT}	Output Current	V _{IN} =5.0V	50			mA
ΔV _{OUT} /ΔI _{OUT}	Load Regulation	V _{IN} =5.0V, 1mA ≤ I _{OUT} ≤ 50mA		40	60	mV
V _{DIF}	Dropout Voltage	I _{OUT} =1mA		40	60	mV
I _{SS}	Supply Current	V _{IN} =5.0V		1.5	3.0	μA
I _{standby}	Standby Current	V _{IN} =5.0V, V _{CE} =5.0V		0.1	1.0	μA
ΔV _{OUT} /ΔV _{IN}	Line Regulation	I _{OUT} =1mA V _{OUT} +0.5V ≤ V _{IN} ≤ 8V	0.00	0.05	0.20	%/V
V _{IN}	Input Voltage				8.0	V
ΔV _{OUT} /ΔT _{opt}	Output Voltage Temperature Coefficient	I _{OUT} =10mA -40°C ≤ T _{opt} ≤ 85°C		±100		ppm/ °C
I _{LIM}	Short Current Limit	V _{OUT} =0V		40		mA
R _{PU}	Pull up resistance for CE pin		1.5	4.0	12.0	MΩ
V _{CEH}	$\overline{\text{CE}}$ Input Voltage "H"		1.5			V
V _{CEL}	$\overline{\text{CE}}$ Input Voltage "L"		0.25			V

• Rx5RW30B

T_{opt}=25°C

Symbol	Item	Conditions	Min.	Typ.	Max.	Unit
V _{OUT}	Output Voltage	V _{IN} =5.0V 10μA ≤ I _{OUT} ≤ 10mA	2.940	3.000	3.060	V
I _{OUT}	Output Current	V _{IN} =5.0V	50			mA
ΔV _{OUT} /ΔI _{OUT}	Load Regulation	V _{IN} =5.0V 1mA ≤ I _{OUT} ≤ 50mA		40	60	mV
V _{DIF}	Dropout Voltage	I _{OUT} =1mA		40	60	mV
I _{SS}	Supply Current	V _{IN} =5.0V		1.5	3.0	μA
I _{standby}	Standby Current	V _{IN} =5.0V, V _{CE} =GND		0.1	1.0	μA
ΔV _{OUT} /ΔV _{IN}	Line Regulation	I _{OUT} =1mA V _{OUT} +0.5V ≤ V _{IN} ≤ 8V	0.00	0.05	0.20	%/V
V _{IN}	Input Voltage				8.0	V
ΔV _{OUT} /ΔT _{opt}	Output Voltage Temperature Coefficient	I _{OUT} =1mA -40°C ≤ T _{opt} ≤ 85°C		±100		ppm/ °C
I _{LIM}	Short Current Limit	V _{OUT} =0V		40		mA
R _{PD}	Pull down resistance for CE pin		1.5	4.0	12.0	MΩ
V _{CEH}	CE Input Voltage "H"		1.5			V
V _{CEL}	CE Input Voltage "L"		0.25			V

• Rx5RW30C

T_{opt}=25°C

Symbol	Item	Conditions	Min.	Typ.	Max.	Unit
V _{OUT}	Output Voltage	V _{IN} =5.0V 10μA ≤ I _{OUT} ≤ 10mA	2.940	3.000	3.060	V
I _{OUT}	Output Current	V _{IN} =5.0V	50			mA
ΔV _{OUT} /ΔI _{OUT}	Load Regulation	V _{IN} =5.0V 1mA ≤ I _{OUT} ≤ 50mA		40	60	mV
V _{DIF}	Dropout Voltage	I _{OUT} =1mA		40	60	mV
I _{SS}	Supply Current	V _{IN} =5.0V		1.5	3.0	μA
ΔV _{OUT} /ΔV _{IN}	Line Regulation	I _{OUT} =1mA 3.5V ≤ V _{IN} ≤ 8.0V	0.00	0.05	0.20	%/V
V _{IN}	Input Voltage				8.0	V
ΔV _{OUT} /ΔT _{opt}	Output Voltage Temperature Coefficient	I _{OUT} =10mA -40°C ≤ T _{opt} ≤ 85°C		±100		ppm/ °C
I _{LIM}	Short Current Limit			40		mA

ELECTRICAL CHARACTERISTICS BY OUTPUT VOLTAGE

Topl=25°C

Part Number	Output Voltage				Output Current			Load Regulation			Dropout Voltage								
	V _{OUT} (V)				I _{OUT} (mA)			ΔV _{OUT} /ΔI _{OUT} (mV)			V _{DIF} (mV)								
	Condi- tions	Min.	Typ.	Max.	Condi- tions	Min.	Typ.	Condi- tions	Typ.	Max.	Condi- tions	Typ.	Max.						
Rx5RW15	V _{IN} -V _{OUT} =2.0V 10μA ≤ I _{OUT} ≤ 10mA	1.470	1.500	1.530	V _{IN} -V _{OUT} =2.0V	35		V _{IN} -V _{OUT} =2.0V 1mA ≤ I _{OUT} ≤ 35mA	30	45		120	200						
Rx5RW16		1.568	1.600	1.632								90	135						
Rx5RW17		1.666	1.700	1.734								60	90						
Rx5RW18		1.764	1.800	1.836															
Rx5RW19		1.862	1.900	1.938															
Rx5RW20		1.960	2.000	2.040								50		V _{IN} -V _{OUT} =2.0V 1mA ≤ I _{OUT} ≤ 50mA	40	60		40	60
Rx5RW21		2.058	2.100	2.142															
Rx5RW22		2.156	2.200	2.244															
Rx5RW23		2.254	2.300	2.346															
Rx5RW24		2.352	2.400	2.448															
Rx5RW25		2.450	2.500	2.550															
Rx5RW26		2.548	2.600	2.652															
Rx5RW27		2.646	2.700	2.754															
Rx5RW28		2.744	2.800	2.856															
Rx5RW29		2.842	2.900	2.958															
Rx5RW30		2.940	3.000	3.060															
Rx5RW31		3.038	3.100	3.162		65		V _{IN} -V _{OUT} =2.0V 1mA ≤ I _{OUT} ≤ 65mA	50	70									
Rx5RW32		3.136	3.200	3.264															
Rx5RW33		3.234	3.300	3.366															
Rx5RW34		3.332	3.400	3.468															
Rx5RW35		3.430	3.500	3.570															
Rx5RW36		3.528	3.600	3.672															
Rx5RW37		3.626	3.700	3.774															
Rx5RW38		3.724	3.800	3.876															
Rx5RW39		3.822	3.900	3.978															
Rx5RW40		3.920	4.000	4.080															
Rx5RW41		4.018	4.100	4.182															
Rx5RW42		4.116	4.200	4.284															
Rx5RW43		4.214	4.300	4.386															
Rx5RW44		4.312	4.400	4.488															
Rx5RW45		4.410	4.500	4.590															
Rx5RW46		4.508	4.600	4.692															
Rx5RW47		4.606	4.700	4.794															
Rx5RW48		4.704	4.800	4.896															
Rx5RW49	4.802	4.900	4.998																
Rx5RW50	4.900	5.000	5.100																
Rx5RW51	4.998	5.100	5.202																
Rx5RW52	5.096	5.200	5.304																
Rx5RW53	5.194	5.300	5.406																
Rx5RW54	5.292	5.400	5.508																
Rx5RW55	5.390	5.500	5.610																
Rx5RW56	5.488	5.600	5.712																
Rx5RW57	5.586	5.700	5.814																
Rx5RW58	5.684	5.800	5.916																
Rx5RW59	5.782	5.900	6.018																
Rx5RW60	5.880	6.000	6.120																

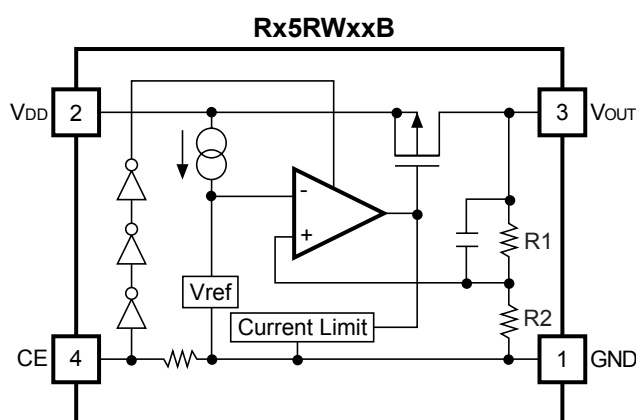
ELECTRICAL CHARACTERISTICS BY OUTPUT VOLTAGE

(common characteristics)

$T_{opt}=25^{\circ}\text{C}$

Symbol	Item	Conditions	Min.	Typ.	Max.	Unit
I_{SS}	Supply Current	$V_{IN}=\text{set}V_{OUT}+2.0$		1.5	3.0	μA
$I_{standby}$	Standby Current	$V_{IN}=\text{set}V_{OUT}+2.0\text{V}$ $V_{CE}=V_{IN}$ (Rx5RWxxA), $V_{CE}=\text{GND}$ (Rx5RWxxB)		0.1	1.0	μA
$\Delta V_{OUT}/\Delta V_{IN}$	Line Regulation	$I_{OUT}=1\text{mA}$ $\text{set}V_{OUT}+0.5\text{V} \leq V_{IN} \leq 8\text{V}$	0.00	0.05	0.20	$\%/V$
V_{IN}	Input Voltage				8.0	V
$\Delta V_{OUT}/\Delta T_{opt}$	Output Voltage Temperature Coefficient	$I_{OUT}=10\text{mA}$ $-40^{\circ}\text{C} \leq T_{opt} \leq 85^{\circ}\text{C}$		± 100		ppm/ $^{\circ}\text{C}$
I_{LIM}	Short Current Limit	$V_{OUT}=0\text{V}$		40		mA
R_{PU}/R_{PD}	$\overline{\text{CE}}$ Pull-up / CE Pull-down Resistance	applied to A/B version	1.5	4.0	12.0	$\text{M}\Omega$
V_{CEH}	$\overline{\text{CE}}$ /CE Input Voltage "H"	applied to A/B version	1.5			V
V_{CEL}	$\overline{\text{CE}}$ /CE Input Voltage "L"	applied to A/B version			0.25	V

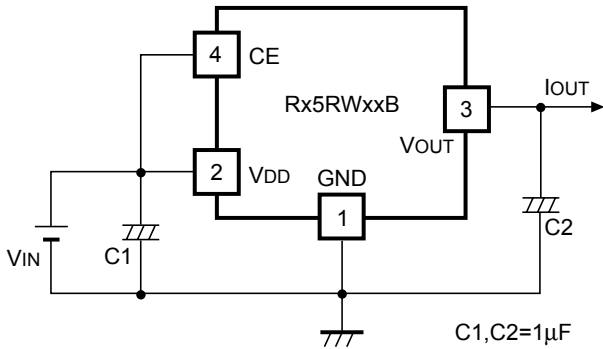
OPERATION



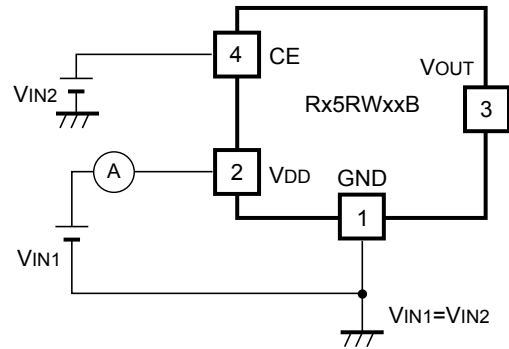
In these ICs, output voltage V_{OUT} is detected by Feedback Registers R1, R2, and the detected output voltage is compared with a reference voltage by the error amplifier, so that a constant voltage is output.

A current limit circuit working for short protect, and a chip enable circuit are included.

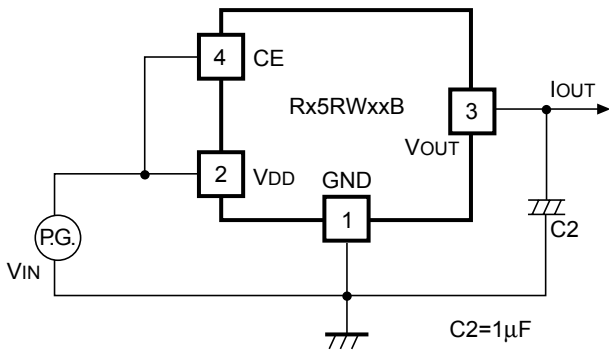
TEST CIRCUITS



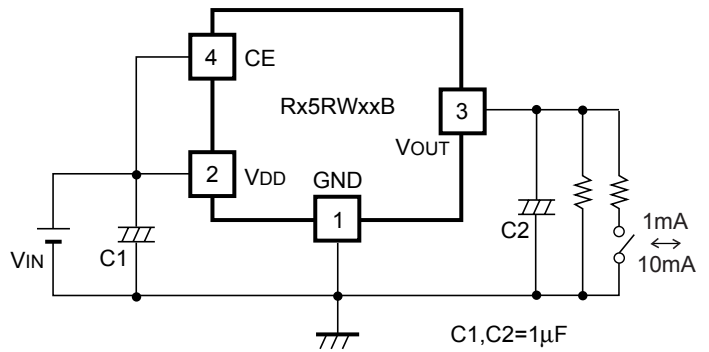
Standard Test Circuit



Test Circuit for Supply Current

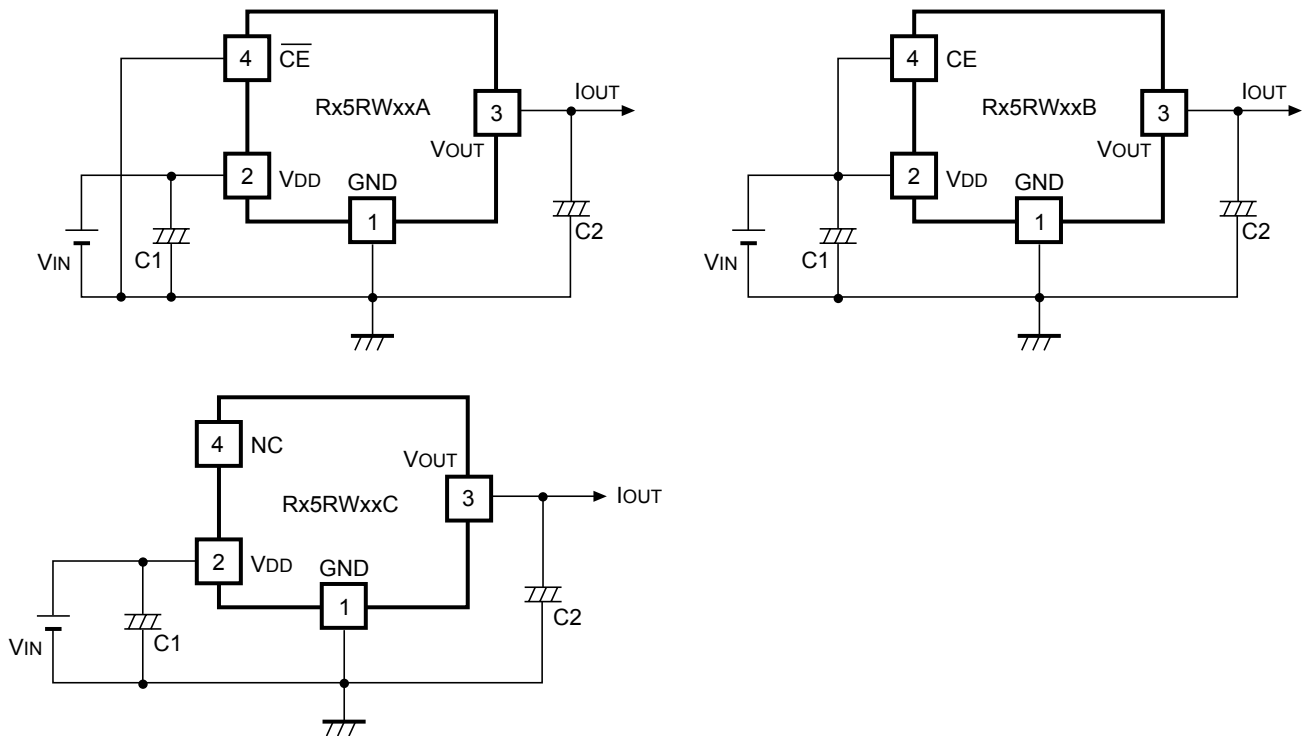


Test Circuit for Ripple Rejection and Line Transient Response



Test Circuit for Load Transient Response

TYPICAL APPLICATION

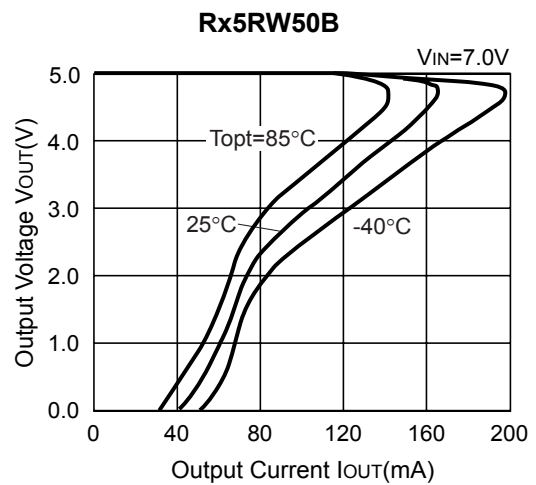
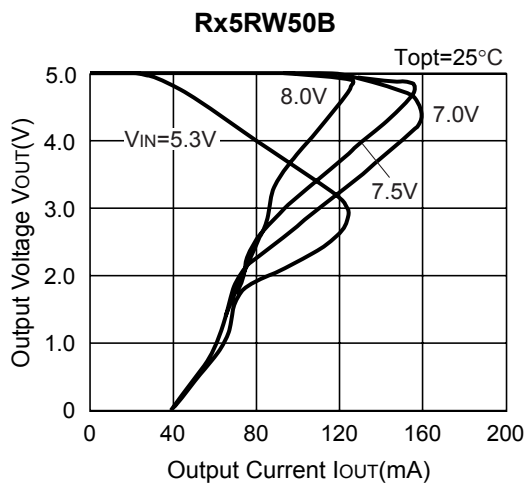
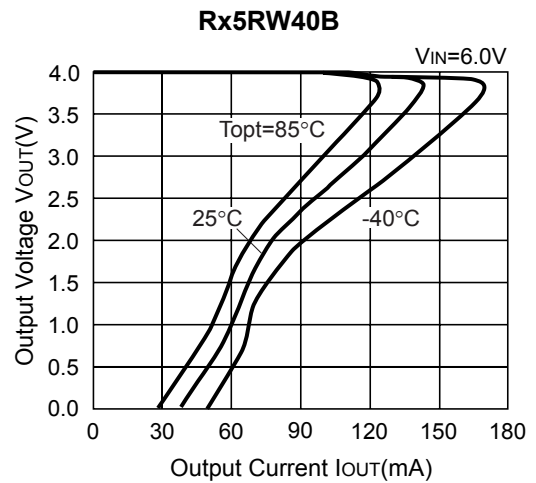
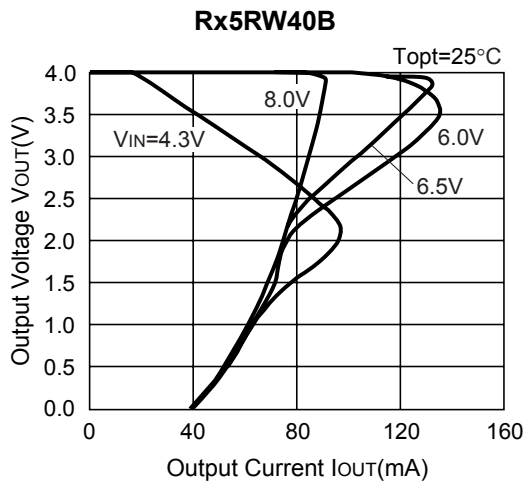
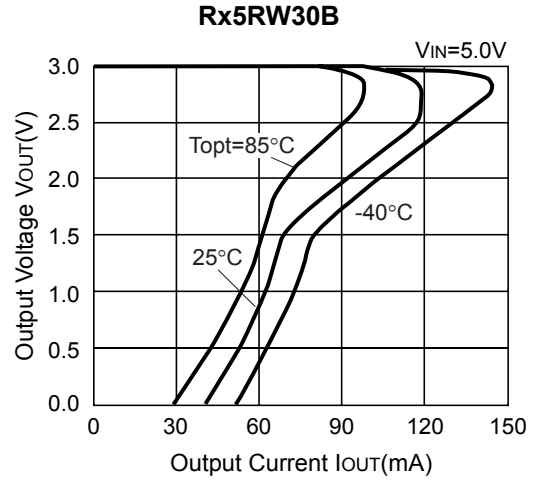
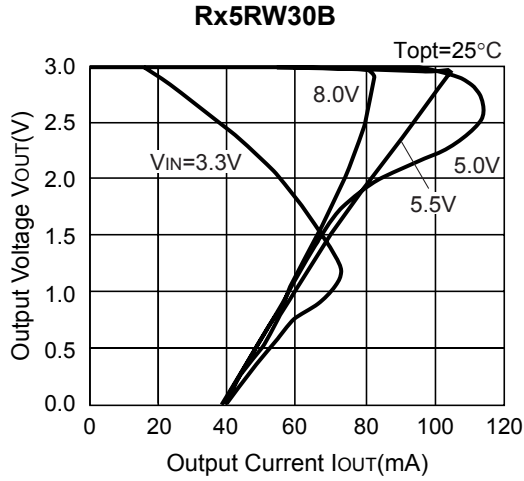


In Rx5RW Series, a constant voltage can be obtained without using capacitors, C1 and C2. However, when the wire connected V_{IN} is long, use capacitor C1. Output noise can be reduced with using capacitor 2.

Insert capacitors C1 and C2 with the capacitance of $0.1\mu\text{F}$ to $2\mu\text{F}$ between input/output pins and GND pin with minimum wiring.

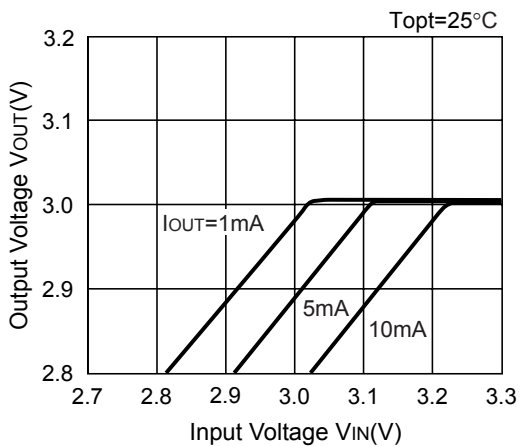
TYPICAL CHARACTERISTICS

1) Output Voltage vs. Output Current

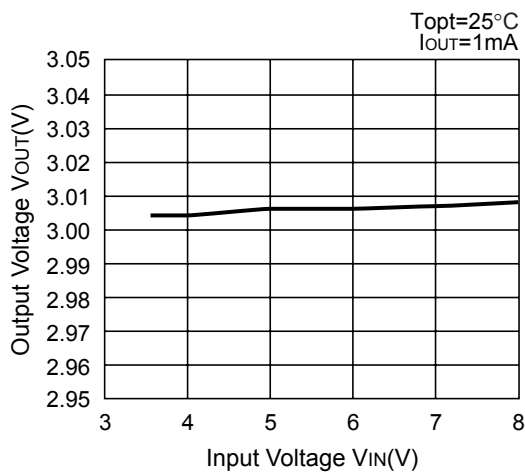


2) Output Voltage vs. Input Voltage

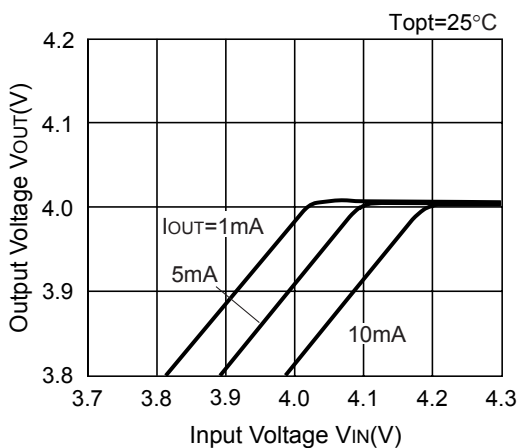
Rx5RW30B



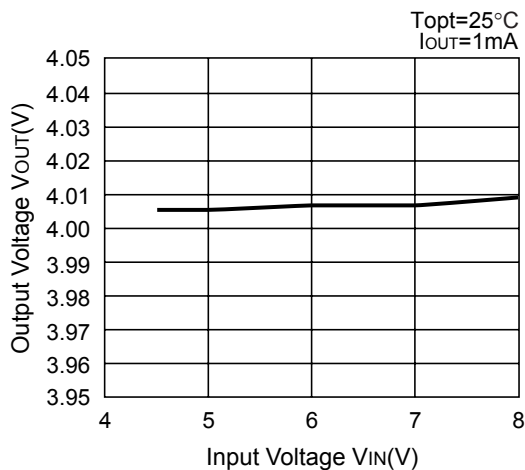
Rx5RW30B



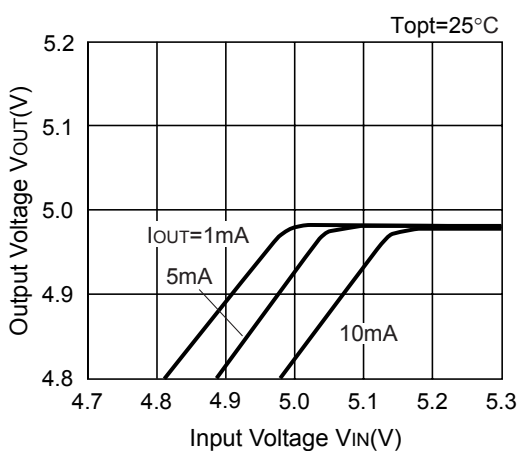
Rx5RW40B



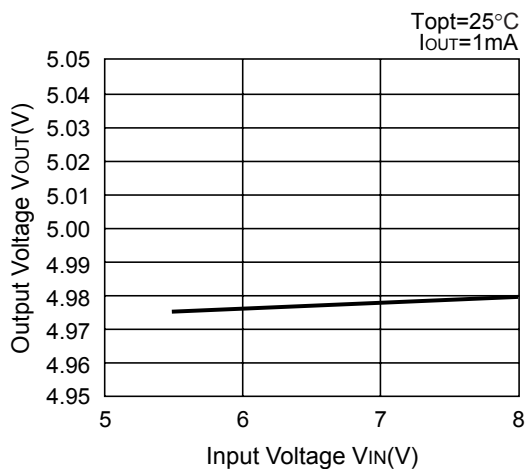
Rx5RW40B



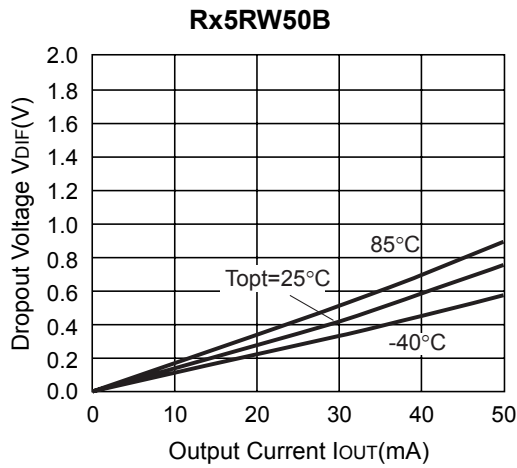
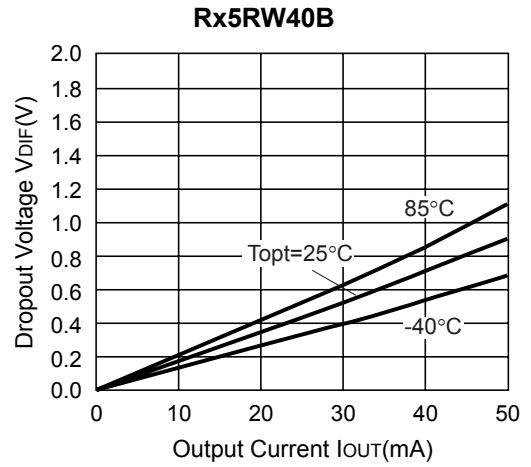
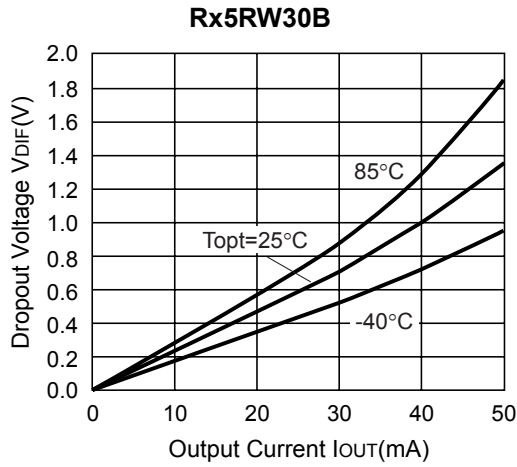
Rx5RW50B



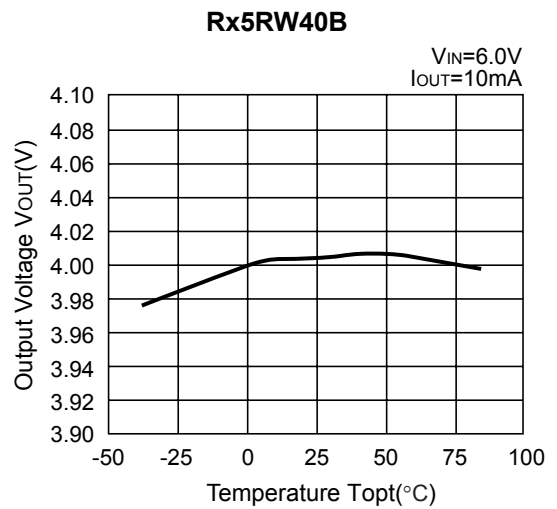
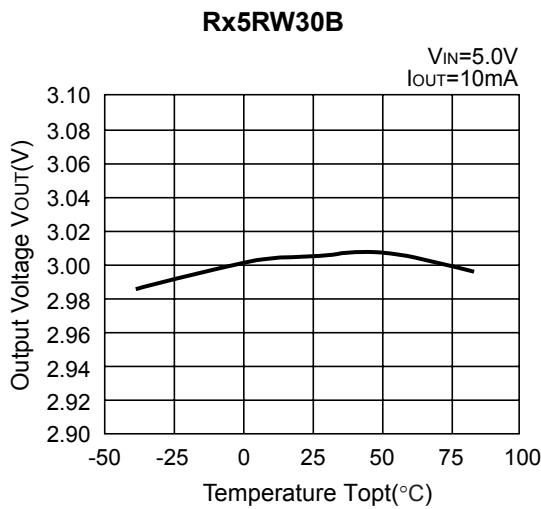
Rx5RW50B

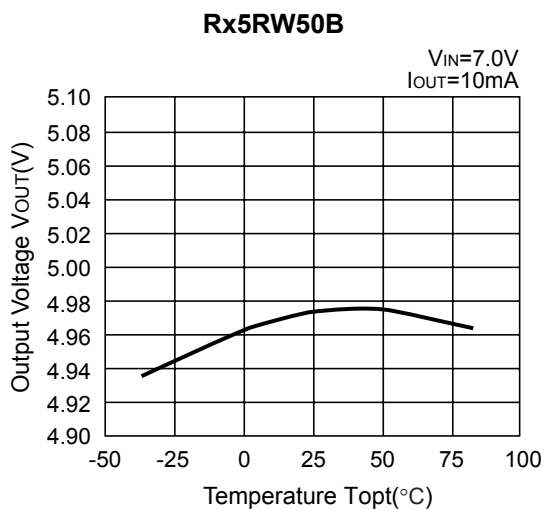


3) Dropout Voltage vs. Output Current

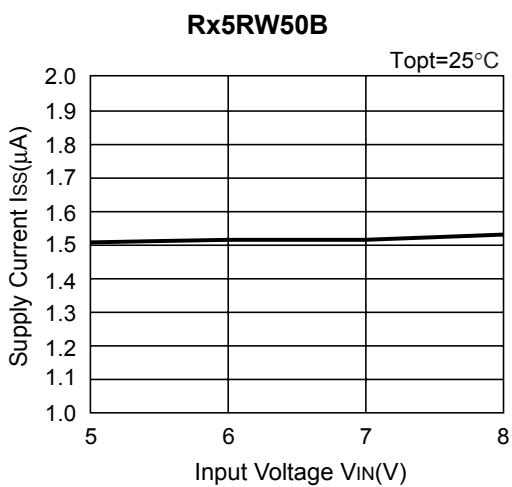
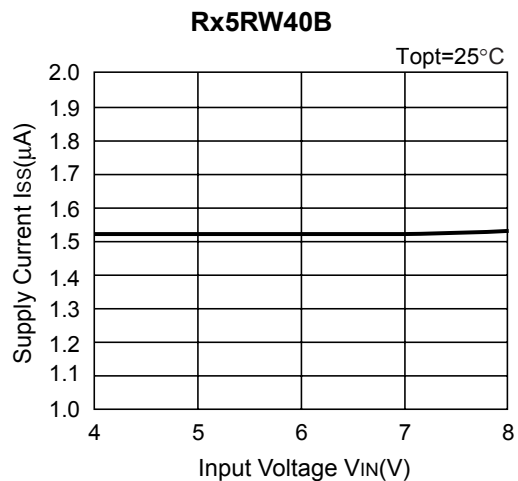
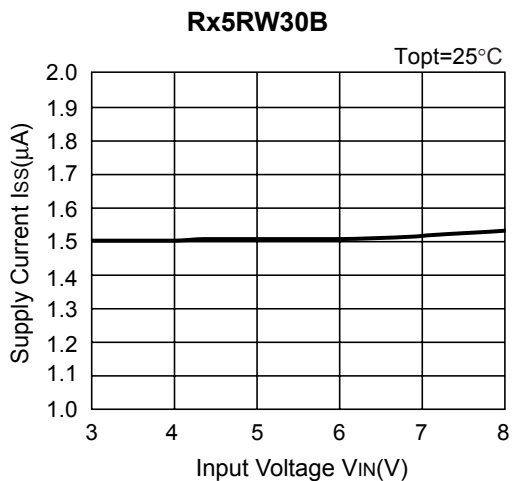


4) Output Voltage vs. Temperature



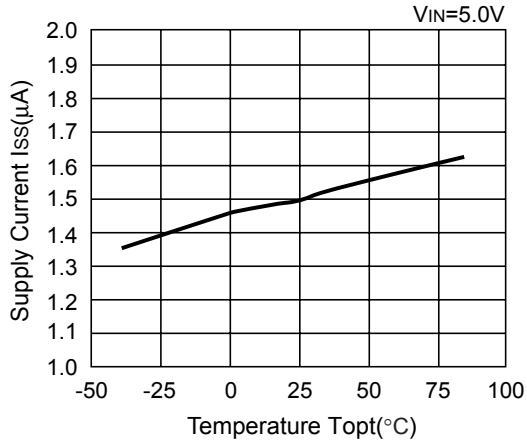


5) Supply Current vs. Input Voltage

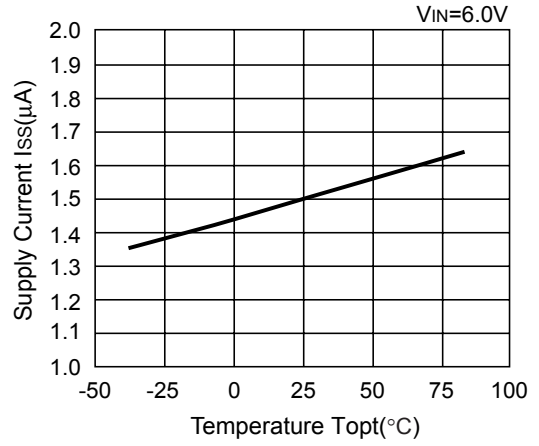


6) Supply Current vs. Temperature

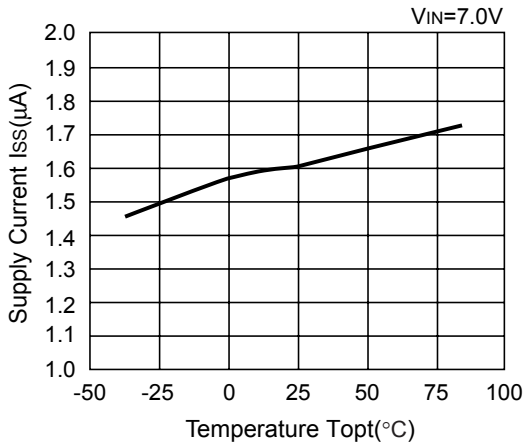
Rx5RW30B



Rx5RW40B

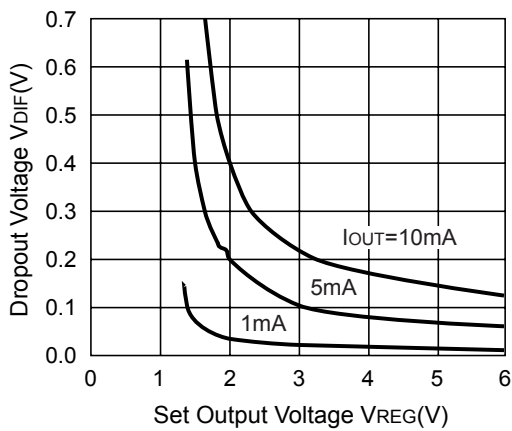


Rx5RW50B

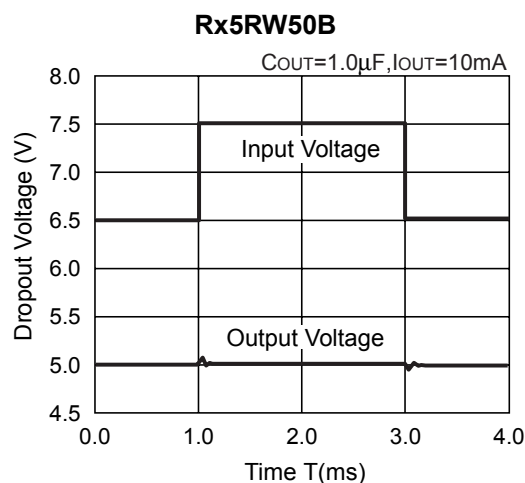
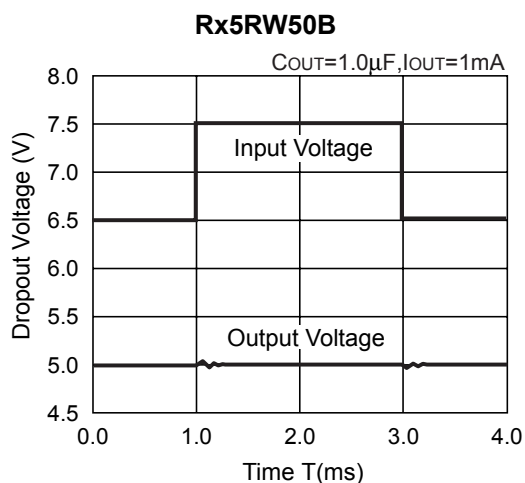
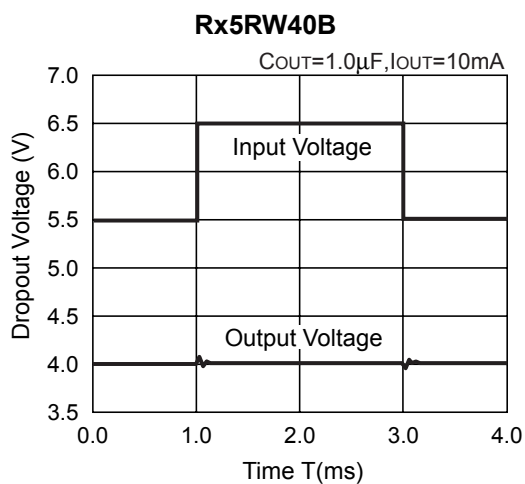
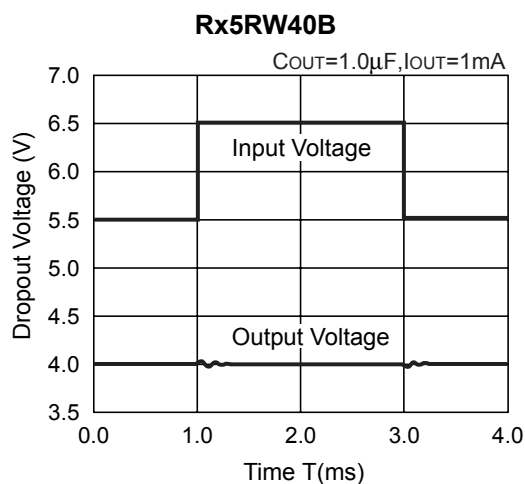
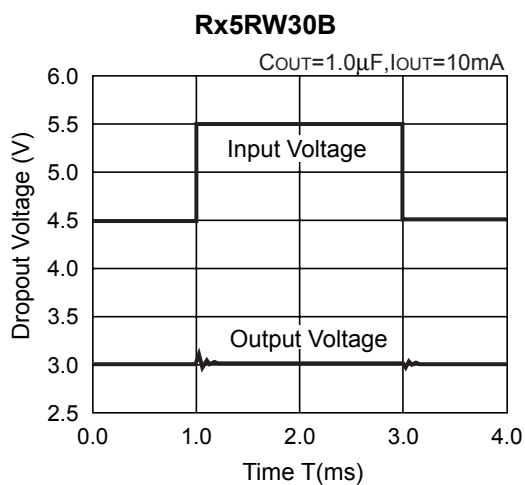
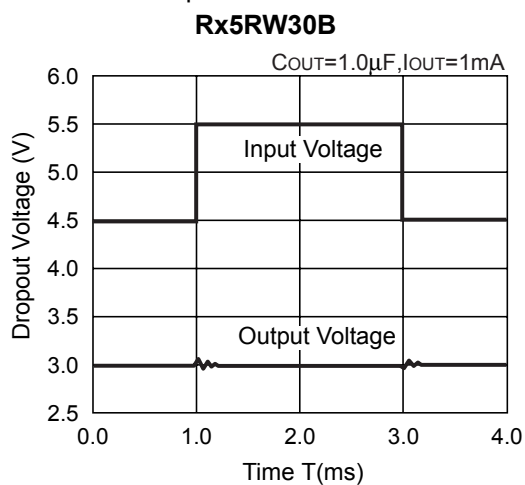


7) Dropout Voltage vs. Set Output Voltage

Rx5RWxxB

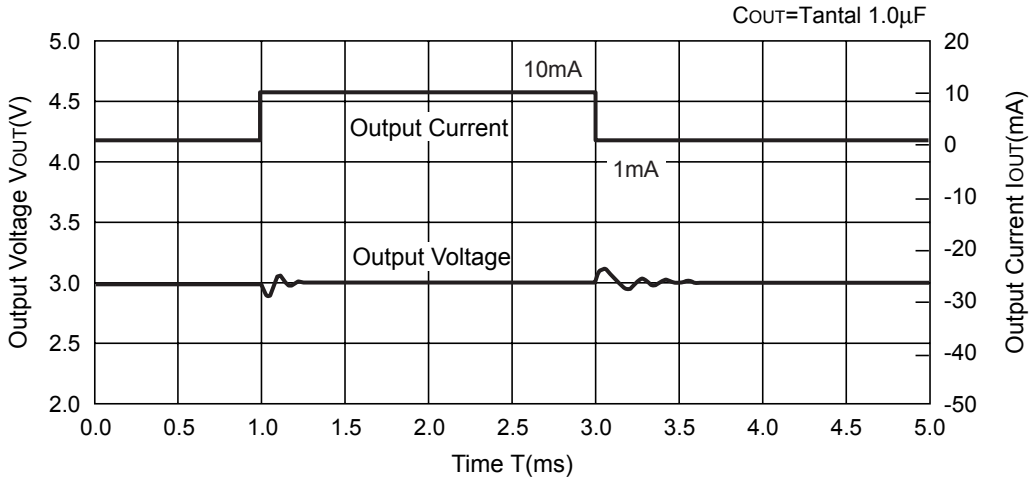


8) Line Transient Response

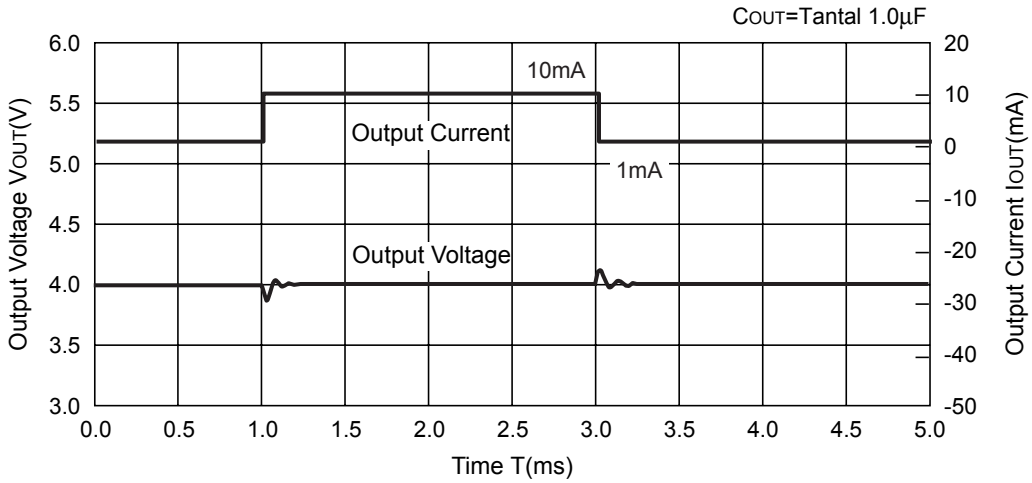


9) Load Transient Response

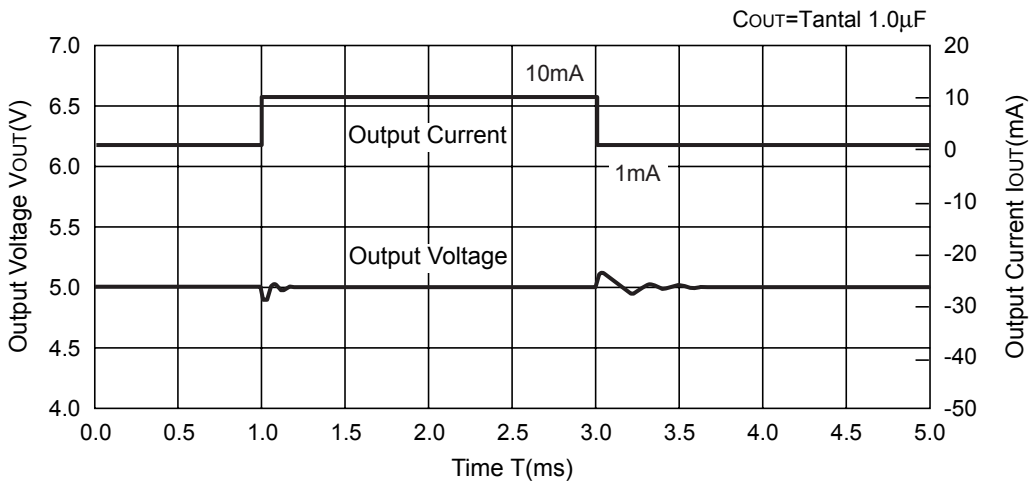
Rx5RW30B



Rx5RW40B



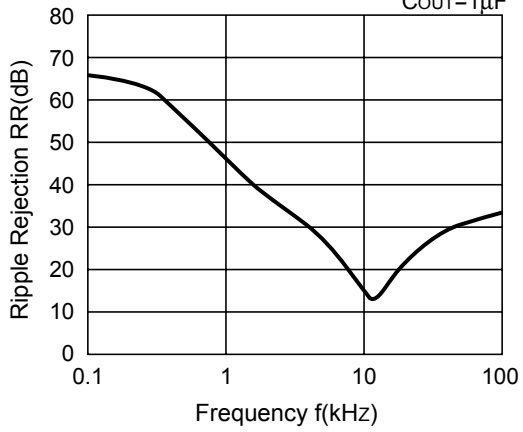
Rx5RW50B



10) Ripple Rejection

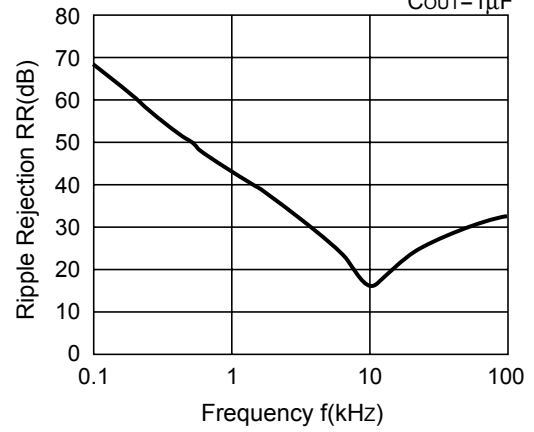
Rx5RW30B

$V_{IN}=5V_{dc}+0.5V_{p-p}$
 $I_{OUT}=10mA$
 $C_{OUT}=1\mu F$



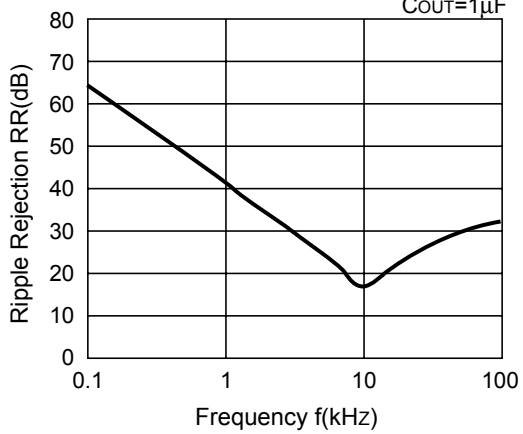
Rx5RW40B

$V_{IN}=6V_{dc}+0.5V_{p-p}$
 $I_{OUT}=10mA$
 $C_{OUT}=1\mu F$



Rx5RW50B

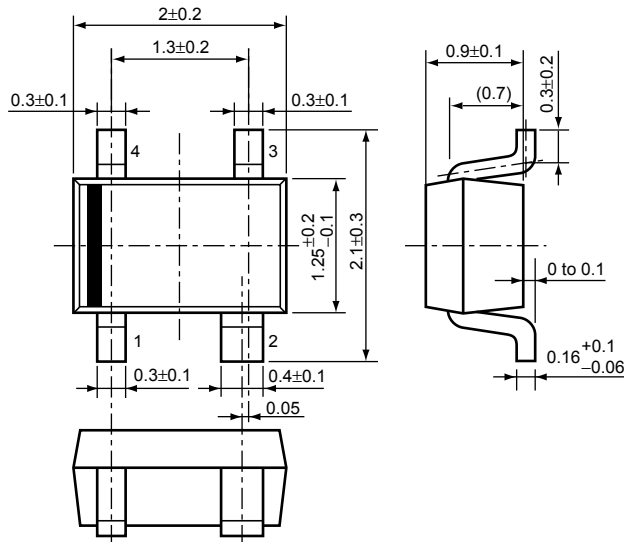
$V_{IN}=7V_{dc}+0.5V_{p-p}$
 $I_{OUT}=10mA$
 $C_{OUT}=1\mu F$



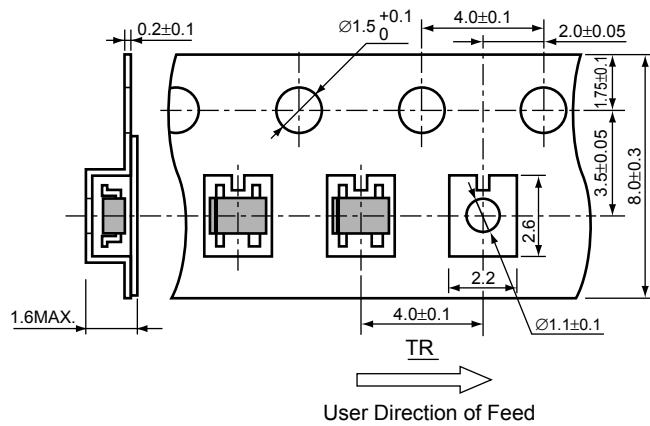
• SC-82AB

Unit: mm

PACKAGE DIMENSIONS

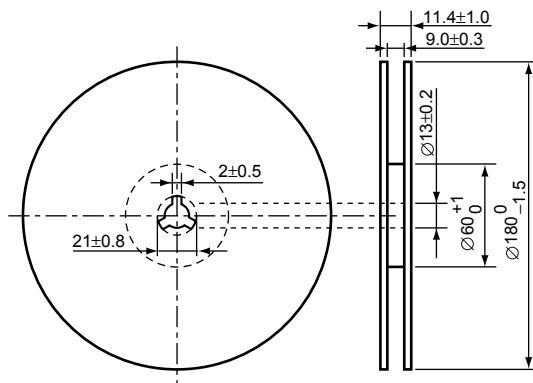


TAPING SPECIFICATION



TAPING REEL DIMENSIONS

(1reel=3000pcs)



POWER DISSIPATION (SC-82AB)

This specification is at mounted on board. Power Dissipation (P_D) depends on conditions of mounting on board. This specification is based on the measurement at the condition below:

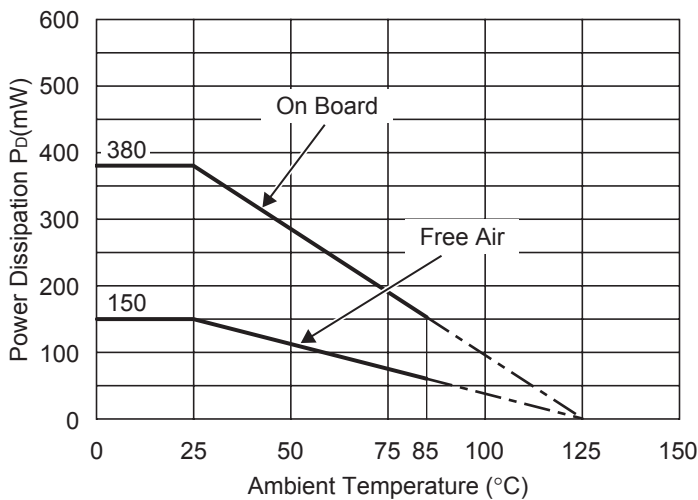
Measurement Conditions

	Standard Land Pattern
Environment	Mounting on Board (Wind velocity=0m/s)
Board Material	Glass cloth epoxy plactic (Double sided)
Board Dimensions	40mm × 40mm × 1.6mm
Copper Ratio	Top side : Approx. 50% , Back side : Approx. 50%
Through-hole	φ0.5mm × 44pcs

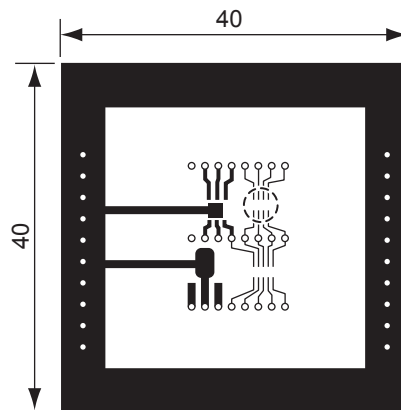
Measurement Result

($T_{opt}=25^{\circ}C, T_{jmax}=125^{\circ}C$)

	Standard Land Pattern	Free Air
Power Dissipation	380mW	150mW
Thermal Resistance	$\theta_{ja}=(125-25^{\circ}C)/0.38W=263^{\circ}C/W$	667 $^{\circ}C/W$



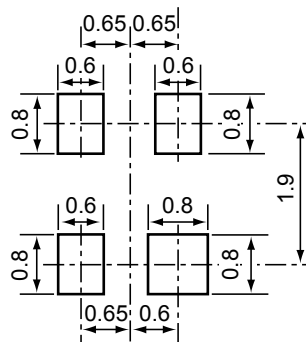
Power Dissipation



Measurement Board Pattern

○ IC Mount Area (Unit : mm)

RECOMMENDED LAND PATTERN



(Unit: mm)

Power Dissipation (SON1612-6)

This specification is at mounted on board.

Power Dissipation (P_D) depends on conditions of mounting on board. This specification is based on the measurement at the condition below:

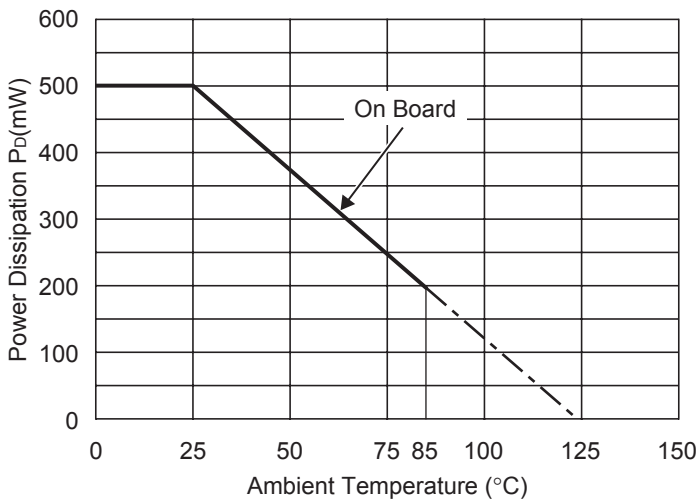
Measurement Conditions

	Standard Land Pattern
Environment	Mounting on Board (Wind velocity=0m/s)
Board Material	Glass cloth epoxy plastic (Double sided)
Board Dimensions	40mm × 40mm × 1.6mm
Copper Ratio	Top side : Approx. 50%, Back side : Approx.50%
Through-hole	φ0.5mm × 24pcs

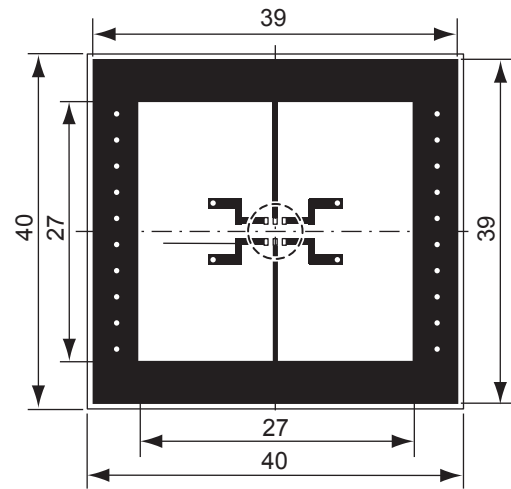
Measurement Result

($T_{opt}=25^{\circ}C, T_{jmax}=125^{\circ}C$)

	Standard Land Pattern
Power Dissipation	500mW
Thermal Resistance	$\theta_{ja}=(125-25^{\circ}C)/0.5W=200^{\circ}C/W$



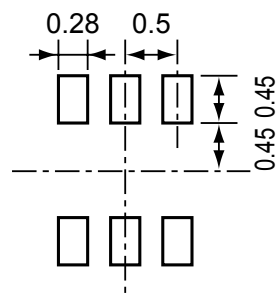
Power Dissipation



Measurement Board Pattern

○ IC Mount Area Unit : mm

RECOMMENDED LAND PATTERN



(Unit: mm)

RQ5RW SERIES MARK SPECIFICATION

• SC-82AB



①, ② : Product Code (refer to Part Number vs. Product Code)

③, ④ : Lot Number

• Part Number vs. Product Code

Part Number	Product Code	
	①	②
RQ5RW20AA	2	A
RQ5RW21AA	2	B
RQ5RW22AA	2	C
RQ5RW23AA	2	D
RQ5RW24AA	2	E
RQ5RW25AA	2	F
RQ5RW26AA	2	G
RQ5RW27AA	2	H
RQ5RW28AA	2	J
RQ5RW29AA	2	K
RQ5RW30AA	3	A
RQ5RW31AA	3	B
RQ5RW32AA	3	C
RQ5RW33AA	3	D
RQ5RW34AA	3	E
RQ5RW35AA	3	F
RQ5RW36AA	3	G
RQ5RW37AA	3	H
RQ5RW38AA	3	J
RQ5RW39AA	3	K
RQ5RW40AA	4	A
RQ5RW41AA	4	B
RQ5RW42AA	4	C
RQ5RW43AA	4	D
RQ5RW44AA	4	E
RQ5RW45AA	4	F
RQ5RW46AA	4	G
RQ5RW47AA	4	H
RQ5RW48AA	4	J
RQ5RW49AA	4	K
RQ5RW50AA	5	A
RQ5RW51AA	5	B
RQ5RW52AA	5	C
RQ5RW53AA	5	D

Part Number	Product Code	
	①	②
RQ5RW54AA	5	E
RQ5RW55AA	5	F
RQ5RW56AA	5	G
RQ5RW57AA	5	H
RQ5RW58AA	5	J
RQ5RW59AA	5	K
RQ5RW60AA	6	A
RQ5RW19AA	6	B
RQ5RW18AA	6	C
RQ5RW17AA	6	D
RQ5RW16AA	6	E
RQ5RW15AA	6	F
RQ5RW20BA	7	A
RQ5RW21BA	7	B
RQ5RW22BA	7	C
RQ5RW23BA	7	D
RQ5RW24BA	7	E
RQ5RW25BA	7	F
RQ5RW26BA	7	G
RQ5RW27BA	7	H
RQ5RW28BA	7	J
RQ5RW29BA	7	K
RQ5RW30BA	8	A
RQ5RW31BA	8	B
RQ5RW32BA	8	C
RQ5RW33BA	8	D
RQ5RW34BA	8	E
RQ5RW35BA	8	F
RQ5RW36BA	8	G
RQ5RW37BA	8	H
RQ5RW38BA	8	J
RQ5RW39BA	8	K
RQ5RW40BA	9	A
RQ5RW41BA	9	B

Part Number	Product Code	
	①	②
RQ5RW42BA	9	C
RQ5RW43BA	9	D
RQ5RW44BA	9	E
RQ5RW45BA	9	F
RQ5RW46BA	9	G
RQ5RW47BA	9	H
RQ5RW48BA	9	J
RQ5RW49BA	9	K
RQ5RW50BA	0	A
RQ5RW51BA	0	B
RQ5RW52BA	0	C
RQ5RW53BA	0	D
RQ5RW54BA	0	E
RQ5RW55BA	0	F
RQ5RW56BA	0	G
RQ5RW57BA	0	H
RQ5RW58BA	0	J
RQ5RW59BA	0	K
RQ5RW60BA	1	A
RQ5RW19BA	1	B
RQ5RW18BA	1	C
RQ5RW17BA	1	D
RQ5RW16BA	1	E
RQ5RW15BA	1	F
RQ5RW20CA	2	L
RQ5RW21CA	2	M
RQ5RW22CA	2	N
RQ5RW23CA	2	P
RQ5RW24CA	2	R
RQ5RW25CA	2	S
RQ5RW26CA	2	T
RQ5RW27CA	2	U
RQ5RW28CA	2	V
RQ5RW29CA	2	W

Part Number	Product Code	
	①	②
RQ5RW30CA	3	L
RQ5RW31CA	3	M
RQ5RW32CA	3	N
RQ5RW33CA	3	P
RQ5RW34CA	3	R
RQ5RW35CA	3	S
RQ5RW36CA	3	T
RQ5RW37CA	3	U
RQ5RW38CA	3	V
RQ5RW39CA	3	W
RQ5RW40CA	4	L
RQ5RW41CA	4	M
RQ5RW42CA	4	N
RQ5RW43CA	4	P
RQ5RW44CA	4	R
RQ5RW45CA	4	S
RQ5RW46CA	4	T
RQ5RW47CA	4	U
RQ5RW48CA	4	V
RQ5RW49CA	4	W
RQ5RW50CA	5	L
RQ5RW51CA	5	M
RQ5RW52CA	5	N
RQ5RW53CA	5	P
RQ5RW54CA	5	R
RQ5RW55CA	5	S
RQ5RW56CA	5	T
RQ5RW57CA	5	U
RQ5RW58CA	5	V
RQ5RW59CA	5	W
RQ5RW60CA	6	L
RQ5RW19CA	6	M
RQ5RW18CA	6	N
RQ5RW17CA	6	P
RQ5RW16CA	6	S

